

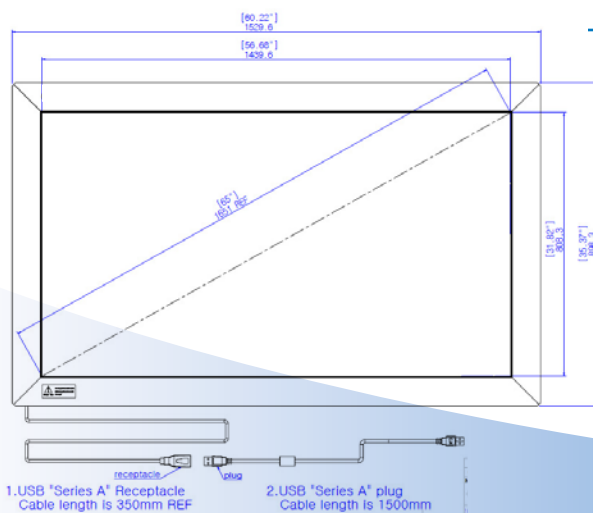
Touch & Multi Touch

Integration Options

Have your touch screen integrated with any Screen Solutions projection films **free of charge** with a projection film purchase.

Screen Solutions Touch bezels can be used with LCD LED Plasma TV's, as well as projection films or rigid projections screens.

32 Point / 65" MultiTouch Diagram



SIZE	# OF POINTS	# OF USER	SIZE	# OF POINTS	# OF USER
32"	2	Single	52"	2	Single
32"	6	Multi	52"	6	Multi
32"	32	Multi	52"	32	Multi
42"	2	Single	55"	2	Single
42"	6	Multi	55"	6	Multi
42"	32	Multi	55"	32	Multi
46"	2	Single	65"	2	Single
46"	6	Multi	65"	6	Multi
46"	32	Multi	65"	32	Multi
50"	2	Single	200"+	6	Multi
50"	6	Multi	200"+	32	Multi
50"	32	Multi			

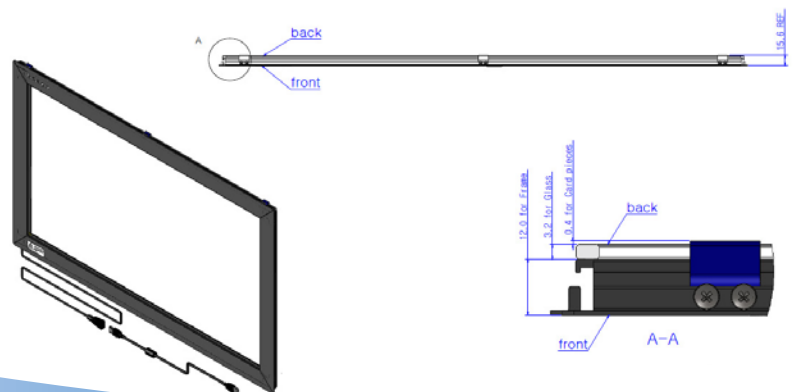
Product Features

Anything you can do with a click of a mouse, you can now do with a touch of your finger! You can also choose a 6 points of touch or 32 points of touch option and multi-user capability. Sizes available up to more than 200"

Product ships with supplied USB cable. No external power supply necessary.

Standard lead time is less than two weeks.

Need Touch content? Contact us today!



SSI BUSINESS OFFICE:

915 Highland Pointe Dr. Suite 250
Roseville, CA, 95678

Phone: (888) 631-5880 | Fax: (866) 519.5149

www.ssidisplays.com

e-mail: ssiinfo@ssidisplays.com